

Centre No.						Paper Reference						Surname	Initial(s)		
Candidate No.						5	5	4	3	H	/	11	B	Signature	

Paper Reference(s)

5543H/11B

Edexcel GCSE

Mathematics B (Modular) – 2544

Paper 11 – Section B (Non-Calculator)

Higher Tier

Unit 3 Test

Monday 12 November 2007 – Afternoon

Time for Section B: 30 minutes

Examiner's use only

--	--	--

Team Leader's use only

--	--	--



Materials required for examination

Ruler graduated in centimetres and millimetres, protractor, compasses, pen, HB pencil, eraser.
Tracing paper may be used.

Items included with question papers

Nil

Instructions to Candidates

In the boxes above, write your centre number, candidate number, your surname, initials and signature. Check that you have the correct question paper.

Answer ALL the questions. Write your answers in the spaces provided in this question paper.

You must NOT write on the formulae page. Anything you write on the formulae page will gain NO credit.

If you need more space to complete your answer to any question, use additional answer sheets.

Information for Candidates

The marks for individual questions and the parts of questions are shown in round brackets: e.g. (2).

This section has 11 questions. The total mark for this section is 25. The total mark for this paper is 50.

There are 8 pages in this question paper. Any blank pages are indicated.

Calculators may be used for Section A only.

Advice to Candidates

Show all stages in any calculations.

Work steadily through the paper. Do not spend too long on one question.

If you cannot answer a question, leave it and attempt the next one.

Return at the end to those you have left out.

This publication may be reproduced only in accordance with Edexcel Limited copyright policy. ©2007 Edexcel Limited.

Printer's Log. No.
N30662A

W850/R5543H/57570 6/6/6/3/



Turn over

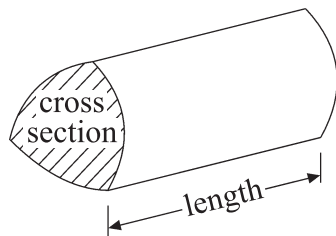
edexcel 
advancing learning, changing lives

GCSE Mathematics (Modular) 2544

Formulae: Higher Tier

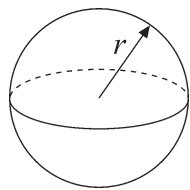
**You must not write on this formulae page.
Anything you write on this formulae page will gain NO credit.**

Volume of a prism = area of cross section \times length



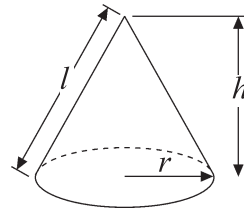
Volume of sphere = $\frac{4}{3}\pi r^3$

Surface area of sphere = $4\pi r^2$

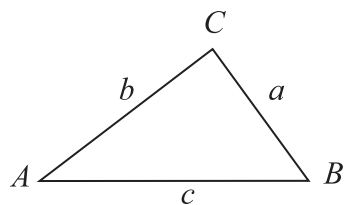


Volume of cone = $\frac{1}{3}\pi r^2 h$

Curved surface area of cone = $\pi r l$



In any triangle ABC



The Quadratic Equation

The solutions of $ax^2 + bx + c = 0$

where $a \neq 0$, are given by

$$x = \frac{-b \pm \sqrt{b^2 - 4ac}}{2a}$$

Sine Rule $\frac{a}{\sin A} = \frac{b}{\sin B} = \frac{c}{\sin C}$

Cosine Rule $a^2 = b^2 + c^2 - 2bc \cos A$

Area of triangle = $\frac{1}{2} ab \sin C$



SECTION B

Answer ALL ELEVEN questions.

Write your answers in the spaces provided.

You must write down all stages in your working.

You must NOT use a calculator for this section.

1.

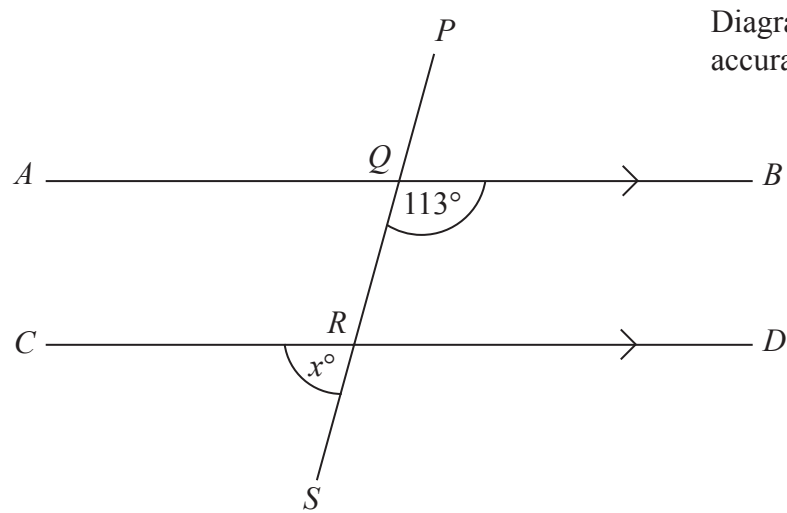


Diagram NOT accurately drawn

AQB, *CRD* and *PQRS* are straight lines.
AB is parallel to *CD*.
 Angle *BQR* = 113° .

Work out the value of *x*.

$x = \dots\dots\dots$

Q1

(Total 2 marks)

2. The length of a pencil is 13 cm correct to the nearest centimetre.

Write down the minimum possible length of the pencil.

$\dots\dots\dots$

Q2

(Total 1 mark)



3. Expand and simplify $3(2x + 5) + 4(3x + 1)$

Leave blank

.....

Q3

(Total 2 marks)

4.

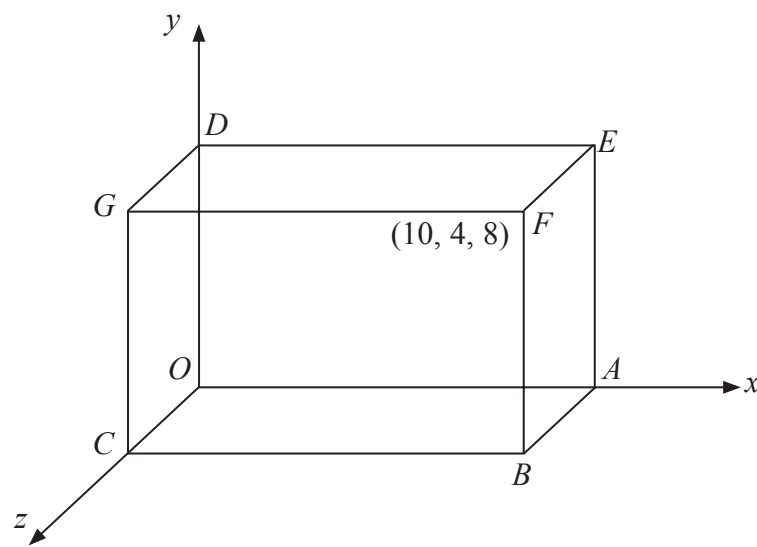


Diagram NOT accurately drawn

The diagram shows a cuboid.
The coordinates of the vertex F are $(10, 4, 8)$.

(a) Write down the coordinates of the vertex E .

(.....,,)
(1)

(b) Find the coordinates of the midpoint of OE .

(.....,,)
(2)

Q4

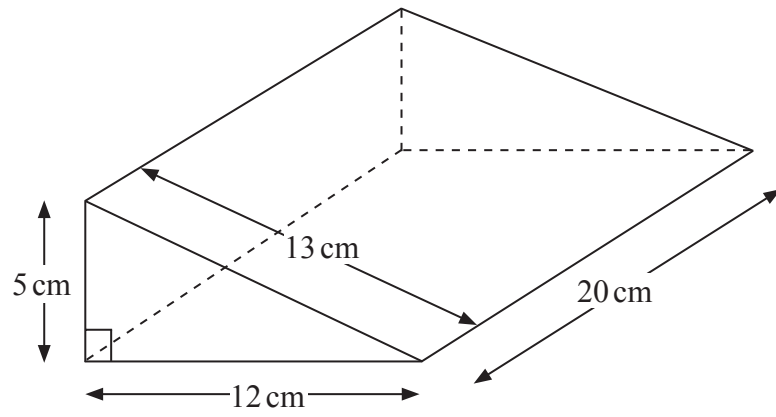
(Total 3 marks)



Leave blank

5.

Diagram **NOT** accurately drawn



The diagram shows a right-angled triangular prism.
Work out the surface area of the triangular prism.

..... cm²

Q5

(Total 3 marks)

6. Factorise $x^2 + 2x - 15$

.....

Q6

(Total 2 marks)



<p>7. Write down the value of</p> <p>(a) $25^{\frac{1}{2}}$</p> <p>..... (1)</p> <p>(b) 9^0</p> <p>..... (1)</p> <p>(Total 2 marks)</p>	<p>Leave blank</p> <p>Q7</p> <input type="text"/>
<p>8. Find the Lowest Common Multiple (LCM) of 42 and 70</p> <p>.....</p> <p>(Total 2 marks)</p>	<p>Q8</p> <input type="text"/>
<p>9. Expand and simplify $(3x + 4)(5x - 1)$</p> <p>.....</p> <p>(Total 2 marks)</p>	<p>Q9</p> <input type="text"/>



<p>10. Convert the recurring decimal $2.1\dot{4}\dot{5}$ to a fraction.</p> <p style="text-align: right;">.....</p> <p style="text-align: right;">(Total 3 marks)</p>	<p>Leave blank</p> <p style="text-align: center;">Q10</p> <input style="width: 20px; height: 20px;" type="text"/>
<p>11. Simplify fully $\frac{4a-20}{a^2-25}$</p> <p style="text-align: right;">.....</p> <p style="text-align: right;">(Total 3 marks)</p>	<p style="text-align: center;">Q11</p> <input style="width: 20px; height: 20px;" type="text"/>
<p>TOTAL FOR SECTION B: 25 MARKS</p> <p>TOTAL FOR PAPER: 50 MARKS</p> <p>END</p>	



BLANK PAGE

